

Technical data sheet

PV base, 3-pole in Y circuit with remote signalling

Item number: 5096646



Base for photovoltaic systems up to $V_{oc} = 1,000 \text{ V}$ (Y circuit)

- Suitable for V 50-B+C and V25-B+C covers, type 1+2, combination arrester
- Suitable for V 20-C upper parts, type 2, surge arresters
- Protection circuit against transverse and longitudinal voltages
- Y circuit
- Low DC voltage protection level: $< 4.0 \text{ kV}$ ($V_{oc} \text{ max} = 1,000 \text{ V DC}$ with V20-C/0-440)
- Low DC voltage protection level: $< 3.0 \text{ kV}$ ($V_{oc} \text{ max} = 900 \text{ V DC}$ with V25-B+C/0-385)
- Low DC voltage protection level: $< 2.6 \text{ kV}$ ($V_{oc} \text{ max} = 600 \text{ V DC}$ with V50-B+C/0-280)
- FS with remote signalling and potential-free changeover contact for function monitoring
- Labelled connections

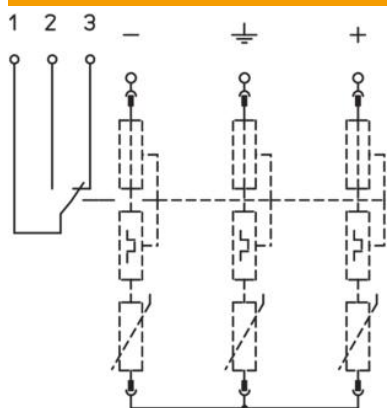
Application: In photovoltaic systems between PH modules and inverters.



Master data

Item number	5096646
Type	V20-C U-3PH-Y-FS
Description 1	Bottom part V20 and V25
Description 2	for photovoltaic
Manufacturer	OBO
Dimension	Y-PH DC
Smallest sales unit	1
Unit of quantity	Piece
Weight	25 kg
Weight unit	kg/100 pc.

Technical data



Version for	3-pole Y circuit for photovoltaic systems with FS
Pole version	3
Structural width in division units (division unit, 17.5 mm)	4
Operating temperature, max.	80 °C
Operating temperature, min.	-40 °C
Remote signalling	yes
Conductor cross-section, rigid (single-wire/multiwire), max.	35 mm ²
Conductor cross-section, rigid (single-wire/multiwire), min.	2.5 mm ²
Protection rating	IP20