

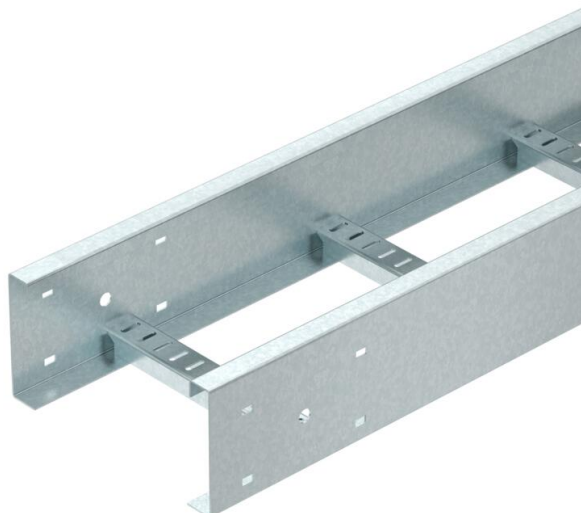
# Technical data sheet

Cable ladder SSP150 Nema 20C, 6 m

Item number: 6905357



Heavy-duty SSP150 cable ladder system, welded version. The side height is 150 mm with a supply length of 6000 mm.  
Magnetic shield insulation without cover 10 dB, with cover 15 dB.



**St** Steel

**FT** Hot-dip galvanised

## Master data

Item number	6905357
Type	SSP150 300 HDG
Description 1	Cable ladder
Description 2	SSP150 Nema 20B
Manufacturer	O-line
Dimension	6000x300x150
Material	Steel
Surface	Hot-dip galvanised
Surface standard	DIN EN ISO 1461
Smallest sales unit	6
Unit of quantity	Metre
Weight	893.67 kg
Weight unit	kg/100 m

## Dimensions

Length	6,000 mm
Length	6,000 ft
Width	300 mm
Height	150 mm
Dimension B	300 mm

# Technical data sheet

## Cable ladder SSP150 Nema 20C, 6 m

Item number: 6905357

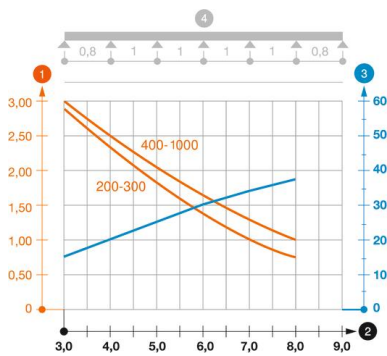


### Technical data

Rung distance	300 mm
Rail thickness	2 mm

### Loads

Support spacing 5.0 m	1.8 kN/m
Support spacing 6.0 m	1.4 kN/m
Support spacing 7.0 m	1 kN/m
Support spacing 8.0 m	0.7 kN/m



### Load diagram, wide span cable ladder, type SSP150 Nema 20B

- 1 Permitted cable tray/ladder load in kN/m without man load
- 2 Support width in m
- 3 Rail bend in mm at permitted kN/m
- 4 Load scheme during testing
- Load curve with cable tray/ladder width in mm
- Strut bend curve according to support width