

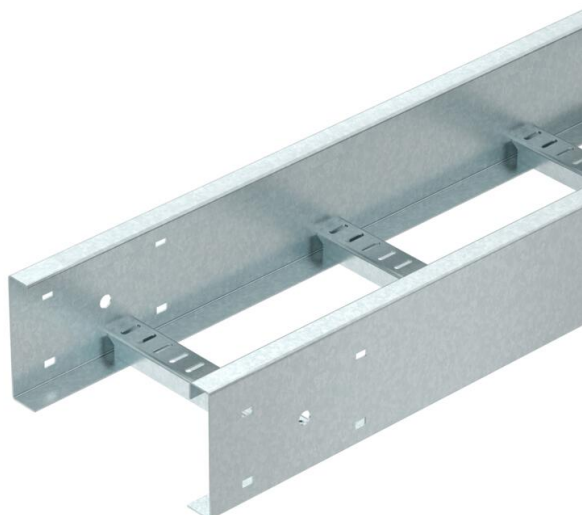
Technical data sheet

Cable ladder SSP150 Nema 20C, 6 m

Item number: 6905377



Heavy-duty SSP150 cable ladder system, welded version. The side height is 150 mm with a supply length of 6000 mm.
Magnetic shield insulation without cover 10 dB, with cover 15 dB.



St Steel

FT Hot-dip galvanised

Master data

| | |
|---------------------|--------------------|
| Item number | 6905377 |
| Type | SSP150 1000 HDG |
| Description 1 | Cable ladder |
| Description 2 | SSP150 Nema 20B |
| Manufacturer | O-line |
| Dimension | 6000x1000x15 |
| Material | Steel |
| Surface | Hot-dip galvanised |
| Surface standard | DIN EN ISO 1461 |
| Smallest sales unit | 6 |
| Unit of quantity | Metre |
| Weight | 1208.5 kg |
| Weight unit | kg/100 m |

Dimensions

| | |
|-------------|----------|
| Length | 6,000 mm |
| Length | 6,000 ft |
| Width | 1,000 mm |
| Height | 150 mm |
| Dimension B | 1,000 mm |

Technical data sheet

Cable ladder SSP150 Nema 20C, 6 m

Item number: 6905377

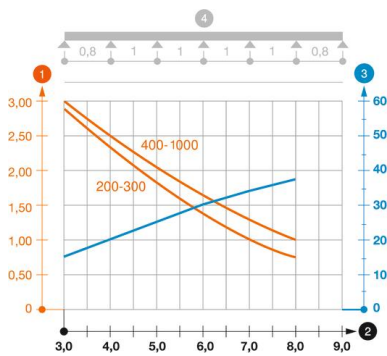


Technical data

| | |
|----------------|--------|
| Rung distance | 300 mm |
| Rail thickness | 2 mm |

Loads

| | |
|-----------------------|----------|
| Support spacing 5.0 m | 2 kN/m |
| Support spacing 6.0 m | 1.6 kN/m |
| Support spacing 7.0 m | 1.3 kN/m |
| Support spacing 8.0 m | 1 kN/m |



Load diagram, wide span cable ladder, type SSP150 Nema 20B

- 1 Permitted cable tray/ladder load in kN/m without man load
- 2 Support width in m
- 3 Rail bend in mm at permitted kN/m
- 4 Load scheme during testing
- Load curve with cable tray/ladder width in mm
- Strut bend curve according to support width