

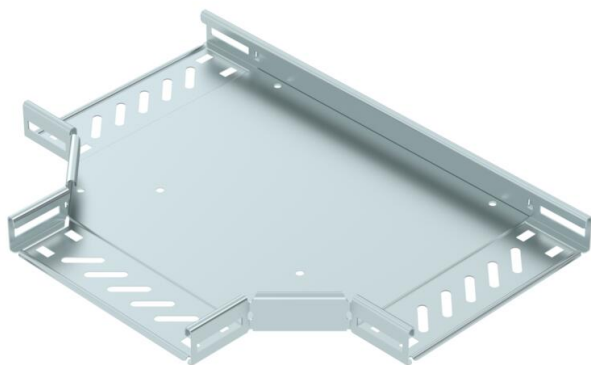
Technical data sheet

T piece 35 FS

Item number: 6038002



T piece for the creation of a horizontal branch, fitting for lock and screw-on cable trays of side height 35 mm. Screw connection with FRS truss-head screws and M6 combination nuts. Can be used in indoor areas. Fastening material must be ordered separately.



St Steel

FS Strip galvanized

Master data

Item number	6038002
Type	RT 320 FS
Description 1	T piece
Description 2	for cable tray, horizontal
Manufacturer	OBO
Dimension	35x200
Material	Steel
Surface	Strip galvanized
Surface standard	DIN EN 10346
Smallest sales unit	1
Unit of quantity	Piece
Weight	97.9 kg
Weight unit	kg/100 pc.

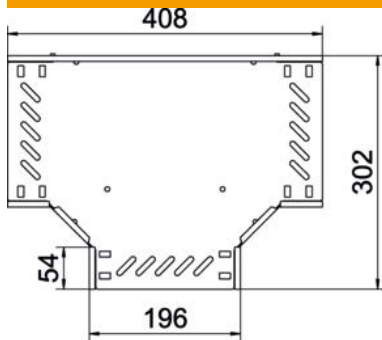
Technical data sheet

T piece 35 FS

Item number: 6038002



Dimensions



Width	200 mm
Height	35 mm
Plate thickness	0.8 mm
Dimension B	200 mm

Technical data

Connector version	Integrated connector
Maintain electrical functions	no
NATO hole pattern	no
Rustproof steel, pickled	no
Permitted temperature range, max.	120 °C
Permitted temperature range, min.	-20 °C
Wide-span version	no
Type of connector, cable support system	Screwed
Recommended quantity of bolts	12 St.
Rail thickness	1.25 mm