

# Technical data sheet

90° vertical bend, falling 60 FS

Item number: 7007067



90° vertical bend, falling, for all cable tray types of 60 mm side height.  
The vertical bend is pushed over the end of the cable tray and screwed tight.  
Fastening materials should be ordered separately.



**St** Steel

**FS** Strip galvanized

## Master data

Item number	7007067
Description 1	90° vertical bend
Description 2	falling
Manufacturer	OBO
Dimension	60x300
Material	Steel
Surface	Strip galvanized
Surface standard	DIN EN 10346
Smallest sales unit	1
Unit of quantity	Piece
Weight	107 kg
Weight unit	kg/100 pc.

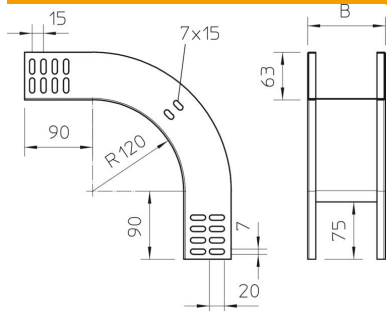
# Technical data sheet

90° vertical bend, falling 60 FS

Item number: 7007067



## Dimensions



Width	300 mm
Width	12 in
Height	60 mm
Height	2 in
Plate thickness	1 mm
Dimension B	300 mm

## Technical data

Bend (angle)	90°
Connector version	Without connectors
Maintain electrical functions	yes
Mounting perforation in base	no
NATO hole pattern	no
Change of direction	Vertical, falling
Rustproof steel, pickled	no
Side perforation	no
Wide-span version	no
Type of connector, cable support system	Screwed