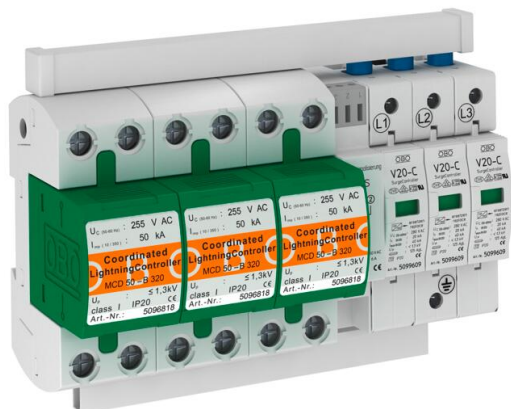


# Technical data sheet

## Protection set MCD + V20 3-pole with remote signalling

Item number: 5089757



Protection set, lightning and surge arrester combination, type 1+2

- For lightning protection equipotential bonding to VDE 0185-305 (IEC 62305)
- Lightning current arresting capacity to 50 kA (10/350) per pole
- Arrester, connectable, incl. connecting bridges, labelled connection terminals
- Encapsulated, non-extinguishing arrester for use in distributor housings

Application: Mobile telecommunications systems and industrial systems with special requirements.



### Master data

Item number	5089757
Type	PS3-B+C-320+FS
Description 1	Protection set
Description 2	3-pole with remote signalling
Manufacturer	OBO
Dimension	320V
Smallest sales unit	1
Unit of quantity	Piece
Weight	170 kg
Weight unit	kg/100 pc.

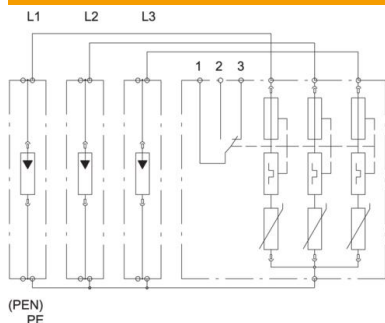
# Technical data sheet

## Protection set MCD + V20 3-pole with remote signalling



Item number: 5089757

### Technical data



Arrester surge current (8/20 $\mu$ s) [total]	100 kA
Response time	<25 ns
Version for	3-pole; 320 V
Pole version	3
Structural width in division units (division unit, 17.5 mm)	10th
Operating temperature, max.	80 °C
Operating temperature, min.	-40 °C
Lightning surge current (10/350 $\mu$ s)	50 kA
Lightning surge current (10/350)	100 kA
Remote signalling	yes
Follow current quenching capacity left	12.5
Maximum continuous voltage (L-N)	255 V
Maximum continuous voltage (N-PE)	255 V
Maximum continuous voltage AC	320
Short-circuit resistance	25 kA
Short-circuit resistance for max. mains-side overcurrent protection	25 kA
Conductor cross-section, rigid (single-wire/multiwire), max.	50 mm <sup>2</sup>
Conductor cross-section, rigid (single-wire/multiwire), min.	10 mm <sup>2</sup>
Lightning protection zone LPZ	0→2
Max. mains-side overcurrent protection	125
Maximum back-up fuse	125 A
Maximum discharge current (8/20 $\mu$ s)	100 kA
Nominal discharge current (8/20 $\mu$ s)	100 kA
Nominal voltage AC (50/60 Hz)	230 V
Protection rating	IP20
Protection level	≤1,7
Protection level [L-N]	≤1,7
Signalling on device	Visual
SPD to EN 61643-11	Type 1+2
SPD to IEC 61643-1	Class I+II