

Technical data sheet

Cable-pipe clip OLTC NAA

Item number: 1500643



Fastening clip with retaining plate to accept 3 cables or pipes.
Complete with bolts, nuts, washers and head plates.



CE

Alu Aluminium

Master data

Item number	1500643
Type	OLTC02/43 NAA
Description 1	Cable and pipe clip
Description 2	43 mm
Manufacturer	O-line
Dimension	190x85x40
Material	Aluminium
Smallest sales unit	1
Unit of quantity	Piece
Weight	22.5 kg
Weight unit	kg/100 pc.

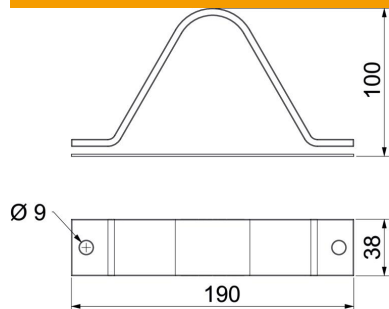
Technical data sheet

Cable-pipe clip OLTC NAA

Item number: 1500643



Dimensions



Dimension A	170 mm
Dimension B	85 mm

Technical data

For diameter	43
--------------	----