

Technical data sheet

Cable-pipe clip OLTC HDG

Item number: 1500551



Fastening clip with retaining plate to accept 3 cables or pipes.
Complete with bolts, nuts, washers and head plates.



CE

St Steel

FT Hot-dip galvanised

Master data

Item number	1500551
Type	OLTC01/51 HDG
Description 1	Cable and pipe clip
Description 2	46-51 mm
Manufacturer	O-line
Dimension	205x40x45
Material	Steel
Surface	Hot-dip galvanised
Surface standard	DIN EN ISO 1461
Smallest sales unit	1
Unit of quantity	Piece
Weight	41.9 kg
Weight unit	kg/100 pc.

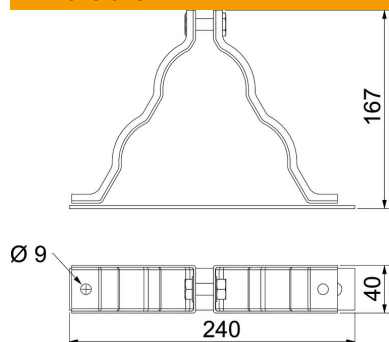
Technical data sheet

Cable-pipe clip OLTC HDG

Item number: 1500551



Dimensions



Dimension B	127 mm
-------------	--------

Technical data

For diameter	46-51
Clamping range D, max.	170 mm
Clamping range D, min.	130 mm