

Technical data sheet

Cable-pipe clip OLTC HDG

Item number: 1500545



Fastening clip with retaining plate to accept 3 cables or pipes.
Complete with bolts, nuts, washers and head plates.



CE

St Steel

FT Hot-dip galvanised

Master data

| | |
|---------------------|---------------------|
| Item number | 1500545 |
| Type | OLTC01/45 HDG |
| Description 1 | Cable and pipe clip |
| Description 2 | 39-45 mm |
| Manufacturer | O-line |
| Dimension | 165x40x45 |
| Material | Steel |
| Surface | Hot-dip galvanised |
| Surface standard | DIN EN ISO 1461 |
| Smallest sales unit | 1 |
| Unit of quantity | Piece |
| Weight | 35 kg |
| Weight unit | kg/100 pc. |

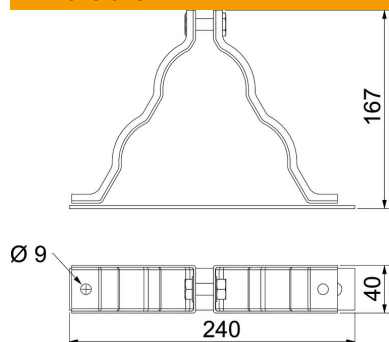
Technical data sheet

Cable-pipe clip OLTC HDG

Item number: 1500545



Dimensions



| | |
|-------------|--------|
| Dimension B | 108 mm |
|-------------|--------|

Technical data

| | |
|------------------------|--------|
| For diameter | 39-45 |
| Clamping range D, max. | 130 mm |
| Clamping range D, min. | 90 mm |