

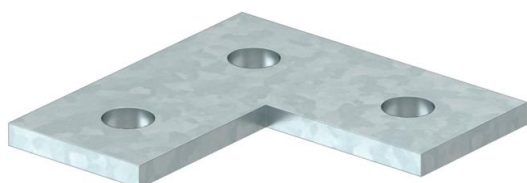
Technical data sheet

Connection plate, L-shaped

Item number: 1500136



Connection plate with 3 holes for the angle connection of Olistrut profile rails.



St Steel

FT Hot-dip galvanised

Master data

Item number	1500136
Type	OL1036 HDG
Description 1	Installation profile
Description 2	flat type
Manufacturer	O-line
Dimension	95x95x6
Material	Steel
Surface	Hot-dip galvanised
Surface standard	DIN EN ISO 1461
Smallest sales unit	1
Unit of quantity	Piece
Weight	25.8 kg
Weight unit	kg/100 pc.

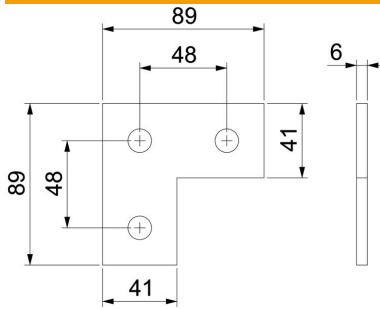
Technical data sheet

Connection plate, L-shaped

Item number: 1500136



Dimensions



Length	95 mm
Width	95 mm
Height	6 mm