

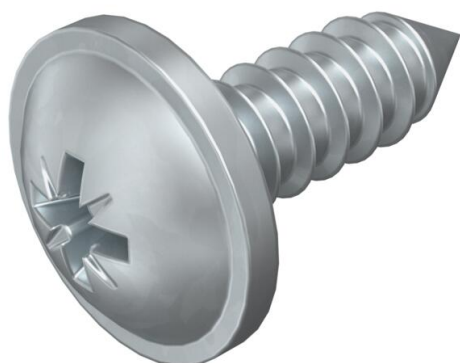
Technical data sheet

Lid connector PT38/PT76 FT

Item number: 6901132



Accessories for cover connection of types PT38 and PT76.



CE

- St** Steel
- G** Electrogalvanized

Master data

Item number	6901132
Type	No10 Pozi Drive
Description 1	Cover connector
Manufacturer	O-line
Material	Steel
Surface	Electrogalvanized
Surface standard	EN ISO 19598 / EN ISO 4042
Smallest sales unit	1
Unit of quantity	Piece
Weight	0.22 kg
Weight unit	kg/100 pc.

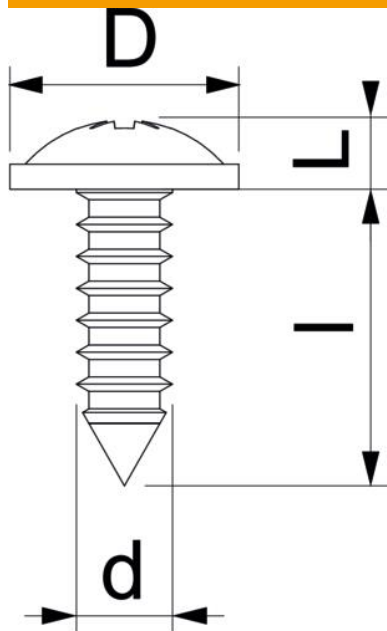
Technical data sheet

Lid connector PT38/PT76 FT

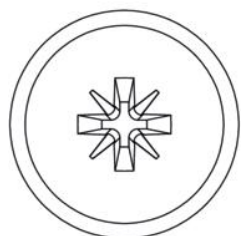
Item number: 6901132



Dimensions



Dimension	4,2x13
Length	16 mm
Width	10 mm
Dimension D	10 mm
Dimension d	4.2 mm
Dimension d max.	10 mm
Dimension d min.	10 mm
Dimension L	3 mm
Dimension I	13 mm



Technical data

Thread diameter ST	4.2
Thread length	13 mm
Fibre-glass reinforced	no
Halogen-free	no
Head diameter	10 mm
Head shape	Rounded head
With nut	no
With washer	no
Rustproof steel, pickled	no
Impact-resistant	no
Screw system	Pozidrive PZ