

Technical data sheet

FineController for telephone systems with RJ11

Item number: 5092828



Type 3 combined surge protection to EN 61643-11 designed for use in telephone systems and terminals with RJ12 connection.



- Adapter connector
- Cut-off unit and function display
- With increased contact protection
- Incl. 0.5 m connection cable RJ12
- Maximum continuous voltage, RJ connection 200 V DC / 1.5 A (25 °C)
- Limit frequency: type 4 MHz / DSL-compatible

Note: The technical data in the table below refers to the power supply.



Master data

Item number	5092828
Description 1	FineController
Description 2	including telephone protection
Manufacturer	OBO
Dimension	230V
Colour	Pure white; RAL 9010
Smallest sales unit	1
Unit of quantity	Piece
Weight	18 kg
Weight unit	kg/100 pc.

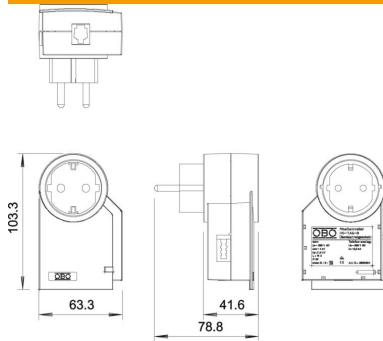
Technical data sheet

FineController for telephone systems with RJ11

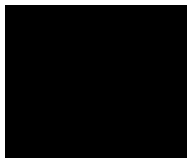


Item number: 5092828

Dimensions



Technical data



Response time	<25 ns
Version for	Schuko – RJ
Max. continuous operating voltage	275 V
Lightning protection zone LPZ	2→3
Country-specific version	D
Maximum back-up fuse	16 A
With interference suppression filter	no
Nominal discharge surge current	3 kA
Rated current	16 A
Nominal voltage	230 V
Test class, type 3	yes
Protection rating	IP20
Protection level	<1,5 kV
Protection level (L-N / L/N-PE)	<1200 / <1500 V
Protection level (L-N)	< 1,2 kV
Protection level (N-PE)	< 1,5 kV
Signalling on device	Visual
SPD to EN 61643-11	Type 3
SPD to IEC 61643-1	Class III
Permitted temperature range, max.	75 °C
Permitted temperature range, min.	-25 °C
Cable type for surge protection devices	Power cable AV