

Technical data sheet

Clamp clip 2056 W-foot, 2-fold, plastic pressure sleeve, FT

Item number: 1187703



Clamp clip with W-foot, plastic pressure sleeve made of polypropylene. For vertical and horizontal mounting of 2 single cables on angle irons < 40 mm. With 1-start screw thread on pressure sleeve, universal hexagonal screw head WAF10, with slot and cross recess. Suitable for assembly indoors and outdoors. Multiple cables should be separated by double sleeves. We recommend the use of a counter-sleeve.



St Steel

FT Hot-dip galvanized

Master data

Item number	1187703
Type	BS-W2-K-12 FT
Description 1	Clamp clip 2056
Description 2	double
Manufacturer	OBO
Dimension	08-12mm
Material	Steel
Surface	Hot-dip galvanized
Surface standard	DIN EN ISO 1461
Smallest sales unit	50
Unit of quantity	Piece
Weight	5.7 kg
Weight unit	kg/100 pc.

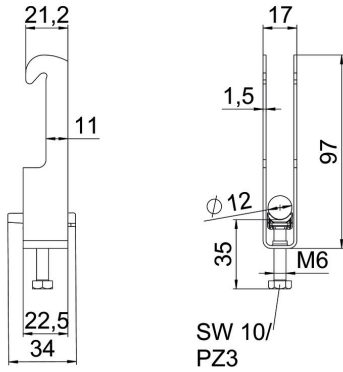
Technical data sheet

Clamp clip 2056 W-foot, 2-fold, plastic pressure sleeve, FT



Item number: 1187703

Dimensions



Length	22.5 mm
Width	17 mm
Height	97 mm
Plate thickness	1.5 mm
Dimension A	22.5 mm
Dimension B	17 mm
Dimension C	34 mm
Dimension G (mm)	M6
Dimension H	97 mm
Dimension L	35 mm
Dimension t	1.5 mm

Technical data

Number of cables/pipes	2
For pipe diameter, max.	12 mm
For pipe diameter, min.	8 mm
Thread	M6
Halogen-free	yes
Length of external dimensions	34 mm
Max. Tightening torque	3 Nm
With plastic trough	yes
Mounting type	Angle profile
Slot width	10 mm
Clamping range D, max.	12 mm
Clamping range D, min.	8 mm
Surface addition	hot galvanised
Material addition	Steel
With counter-trough	no
Material of trough	Plastic
Material quality of trough	Polypropylene