

Technical data sheet

OBO anchor

Item number: 3105016



Hardened steel, shiny without thread.



CE

St Steel

Master data

Item number	3105016
Type	903 RB 15
Description 1	OBO plug
Description 2	knock-in anchor,without thread
Manufacturer	OBO
Dimension	L15mm
Material	Steel
Smallest sales unit	200
Unit of quantity	Piece
Weight	0.295 kg
Weight unit	kg/100 pc.

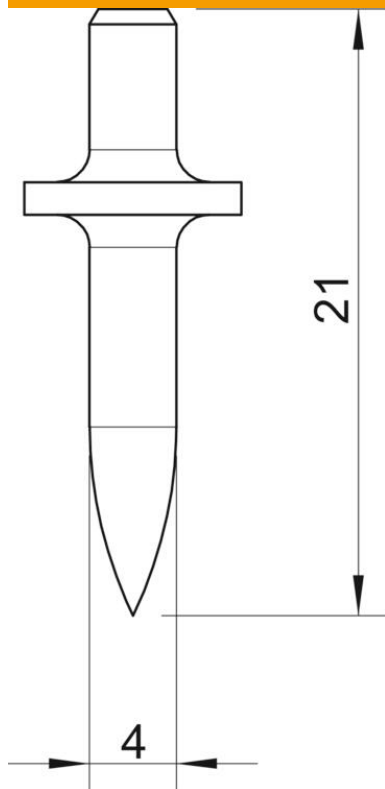
Technical data sheet

OBO anchor

Item number: 3105016



Dimensions



Length	21 mm
Dimension d min.	4 mm
Dimension L	21 mm

Technical data

Flange diameter	10 mm
Hardened	yes
Shank length	15