

Technical data sheet

Spacer for flat conductor, with wood screw

Item number: 5030242



- Fit: FL 30 and FL 40
- With 2 cylinder bolts M5 x 12 (G) and over-piece
- With wood screw

St Steel

G Electrogalvanized

Master data

Item number	5030242
Type	708 40 HG
Description 1	Spacer
Description 2	w. thread for ground conductor
Manufacturer	OBO
Dimension	40mm
Material	Steel
Surface	Electrogalvanized
Surface standard	EN ISO 19598 / EN ISO 4042
Smallest sales unit	50
Unit of quantity	Piece
Weight	2.827 kg
Weight unit	kg/100 pc.

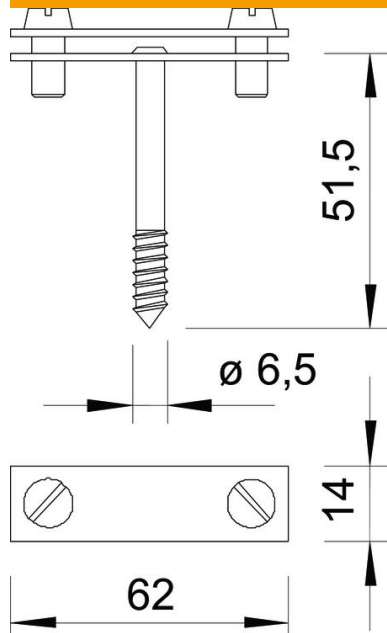
Technical data sheet

Spacer for flat conductor, with wood screw

Item number: 5030242



Dimensions



Dimension B	62 mm
-------------	-------

Technical data

Fit	max. FL40 mm
Intermediate plate	no