

Technical data sheet

Quick clip, light grey

Item number: 2149010



Flush-mounted clip to accept metric steel armoured pipes and heavy-duty insulating pipes, as well as Quick Pipe electrical installation pipes. Universal fastening options on walls and ceilings, both in indoor and protected outdoor areas. With slot for side alignment during mounting with wood screw or knock-in anchor. Toolless pipe mounting. Can also be arranged with OBO Multi-Quick or starQuick clip. M16 - M32 size can be screwed onto M6 thread. Recommended fastening spacing 50–60 cm, for max. extraction values F at a room temperature of 20 °C, see the table.



PP Polypropylene

Master data

Item number	2149010
Type	2955 M20
Description 1	Quick clip
Manufacturer	OBO
Dimension	M20
Colour	Light grey; RAL 7035
Material	Polypropylene
Smallest sales unit	100
Unit of quantity	Piece
Weight	0.325 kg
Weight unit	kg/100 pc.

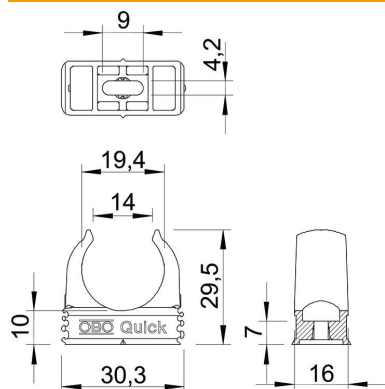
Technical data sheet

Quick clip, light grey

Item number: 2149010



Dimensions



Dimension A	30.3 mm
Dimension B	16 mm
Dimension C	14 mm
Dimension D	19.4 mm
Dimension E	9 mm
Dimension F	4.2 mm
Dimension h	10 mm
Dimension H	29.5 mm

Technical data

Expandable	yes
Number of cables/pipes	1
Pull-out value	75 N
Fastening type	Screw hole
Breaking load	0.09 kN
Closed	no
Halogen-free	yes
With inlay	no
Nominal size/text	M20
Quick clip installation	Durchgangsloch,_auf_M6_Gewinde_aufschraubbar
Clamping range D, max.	20 mm
Clamping range D, min.	20 mm
UV-resistant	no