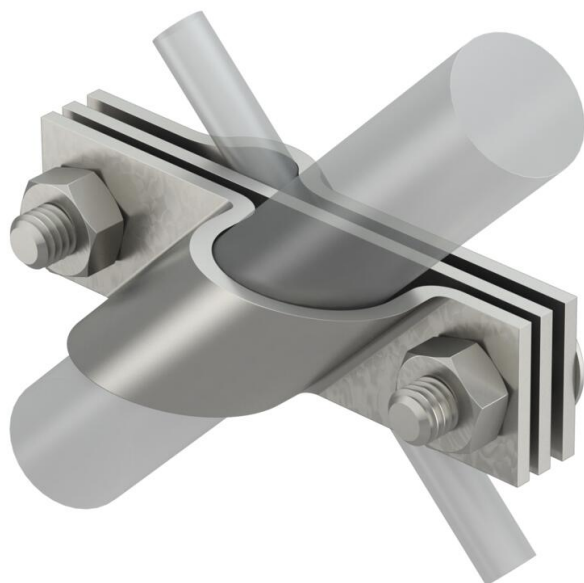


Technical data sheet

Connection clamp for earth rod, universal A4

Item number: 5001672



- Meets the requirements of VDE 0185-305-3 (IEC/ EN 62305-3)
- Suitable for connecting round conductors Rd 8-10 or flat conductors to FL 40
- With adapter plate
- Mounted with 2 hexagonal bolts M10 x 30 and 2 hexagonal bolts M10



A4 Stainless steel

Master data

Item number	5001672
Type	2760 25 V4A
Description 1	Connection clamp
Description 2	for round and flat conductors
Manufacturer	OBO
Dimension	25mm
Material	Stainless steel
Smallest sales unit	5
Unit of quantity	Piece
Weight	32.4 kg
Weight unit	kg/100 pc.

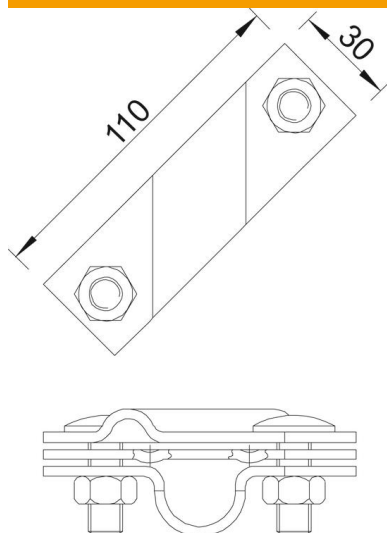
Technical data sheet

Connection clamp for earth rod, universal A4

Item number: 5001672



Dimensions



Dimension A | 110 mm

Technical data

Type	Connection clip
Earthing connection diameter for earth rods	25 mm
Suitable for round conductor diameters, max.	10 mm
Suitable for round conductor diameters, min.	8 mm
Fit	Rd 8-10/FL40 mm
Intermediate plate	yes
Clamping range, max.	10 mm
Clamping range, min.	8 mm
Suitable for flat conductor width min.	8 mm
Suitable for flat conductor width max.	10 mm