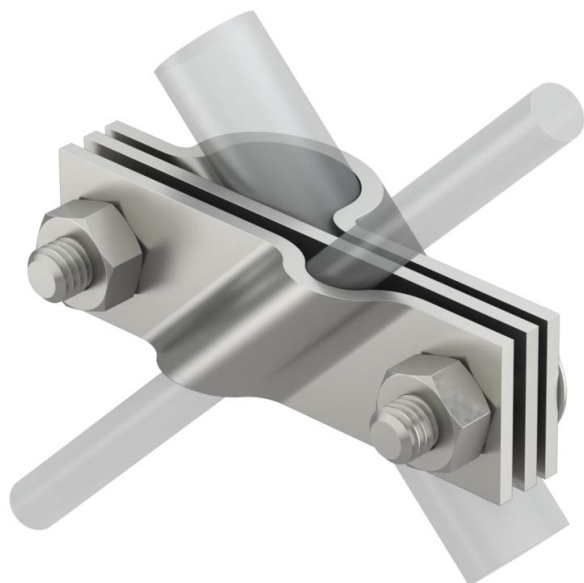


Technical data sheet

Connection clip for earth rod, universal A2

Item number: 5001617



- Meets the requirements of VDE 0185-305-3 (IEC/ EN 62305-3)
- Suitable for connecting round conductors Rd 8-10 or flat conductors to FL 40
- With adapter plate
- Mounted with 2 hexagonal bolts M10 x 30 and 2 hexagonal bolts M10



A2 Stainless steel

Master data

Item number	5001617
Type	2760 20 VA
Description 1	Connection clamp
Description 2	for round and flat conductors
Manufacturer	OBO
Dimension	20mm
Material	Stainless steel
Smallest sales unit	5
Unit of quantity	Piece
Weight	28.286 kg
Weight unit	kg/100 pc.

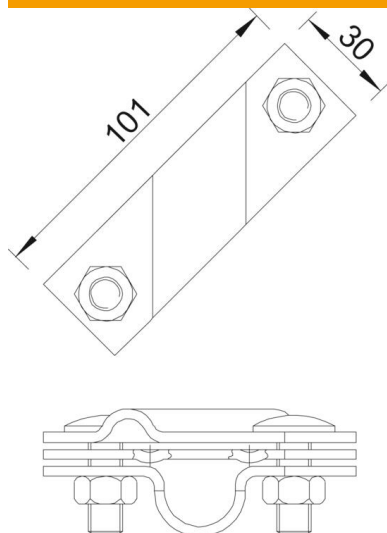
Technical data sheet

Connection clip for earth rod, universal A2



Item number: 5001617

Dimensions



Dimension A | 101 mm

Technical data

Type	Connection clip
Earthing connection diameter for earth rods	20 mm
Suitable for round conductor diameters, max.	20 mm
Suitable for round conductor diameters, min.	10 mm
Fit	Rd 8-10/FL40 mm
Intermediate plate	yes
Clamping range, max.	10 mm
Clamping range, min.	8 mm
Suitable for flat conductor width min.	8 mm
Suitable for flat conductor width max.	10 mm