

Technical data sheet

Clamp clip, single, plastic pressure trough, A2

Item number: 1159542



Suitable for all C profile rails with slot width 16–17 mm.
Stainless steel clip and bolt.
Polypropylene pressure trough, halogen-free, colour light grey RAL 7035.



A2 Stainless steel

2B Bright, treated

Master data

Item number	1159542
Description 1	Clamp clip
Manufacturer	OBO
Dimension	22-28mm
Material	Stainless steel
Surface	Bright, treated
Surface standard	
Smallest sales unit	50
Unit of quantity	Piece
Weight	6.5 kg
Weight unit	kg/100 pc.

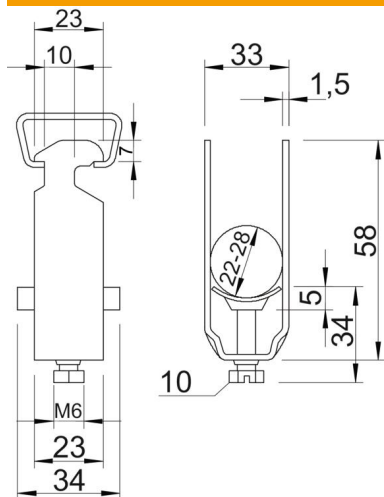
Technical data sheet

Clamp clip, single, plastic pressure trough, A2

Item number: 1159542



Dimensions



Dimension A	23 mm
Dimension B	33 mm
Dimension C	34 mm
Dimension G (mm)	M6
Dimension H	58 mm
Dimension L	34 mm
Dimension t	2 mm
Dimension x	5 mm

Technical data

Number of cables/pipes	1
for rail with slot width (with interval), max.	17 mm
for rail with slot width (with interval), min.	16 mm
Halogen-free	yes
Max. Tightening torque	3 Nm
With plastic trough	yes
With metal trough	no
Mounting type	Profile rail
Impact-resistant	no
Clamping range D, max.	28 mm
Clamping range D, min.	22 mm
Surface addition	Untreated
Material addition	Rustproof steel
With counter-trough	no
Material of trough	Plastic
Material quality of trough	Polypropylene