

Technical data sheet

Base plate

Item number: 5208017



- With threaded pin M8
- Suitable for direct bonding
- Threaded pin brass and base plate hot-dip galvanized steel



- St** Steel
- FS** Strip galvanized

Master data

Item number	5208017
Description 1	Base plate
Description 2	with threaded pin M8
Manufacturer	OBO
Dimension	100x100x2
Material	Steel
Surface	Strip galvanized
Surface standard	DIN EN 10346
Smallest sales unit	10
Unit of quantity	Piece
Weight	14.2 kg
Weight unit	kg/100 pc.

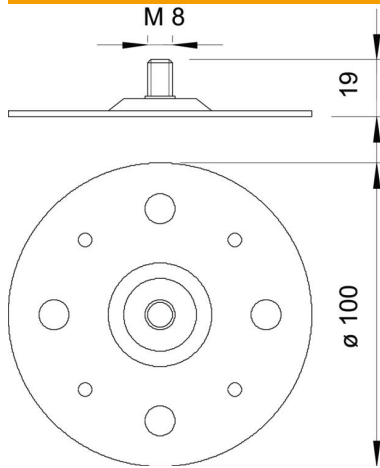
Technical data sheet

Base plate

Item number: 5208017



Dimensions



Technical data

Type of accessory	Miscellaneous
Thread	M8