

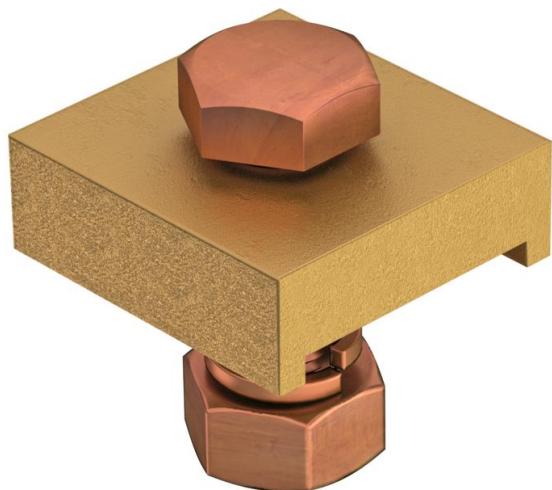
# Technical data sheet

## Connection clamp for flat conductors

Item number: 5012270



Connection clamp for connecting flat conductors of up to 25 mm to steel structures.



**Cu** Copper

### Master data

Item number	5012270
Type	1818 FL CU
Description 1	Connection terminal
Description 2	for flat conductors 25mm
Manufacturer	OBO
Dimension	33x31x11
Material	Copper
Smallest sales unit	10
Unit of quantity	Piece
Weight	10 kg
Weight unit	kg/100 pc.

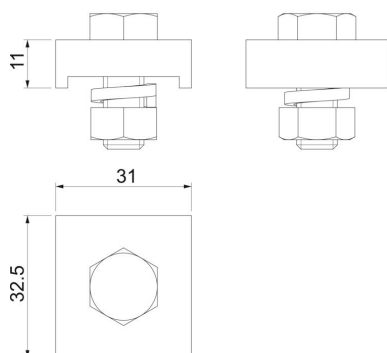
# Technical data sheet

## Connection clamp for flat conductors

Item number: 5012270



### Dimensions



Length	31 mm
Width	33 mm
Height	20 mm

### Technical data

Type of fastening screw	Hexagonal bolt
Type of connector	Connectors
Fit	FL 20 ÷ FL 26 mm