

Technical data sheet

Roof conductor holder for flat roofs, only plastic sleeve

Item number: 5218861



- For self-filling with concrete
- Potential filling weight: approx. 1.3 kg
- Sleeve from polyethylene, black



PE Polyethylene

Master data

Item number	5218861
Type	165 KR
Description 1	Roof conductor holder
Description 2	to filling with concrete
Manufacturer	OBO
Dimension	85mm
Material	Polyethylene
Smallest sales unit	50
Unit of quantity	Piece
Weight	5.449 kg
Weight unit	kg/100 pc.

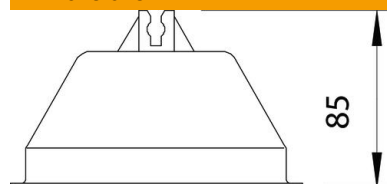
Technical data sheet

Roof conductor holder for flat roofs, only plastic sleeve

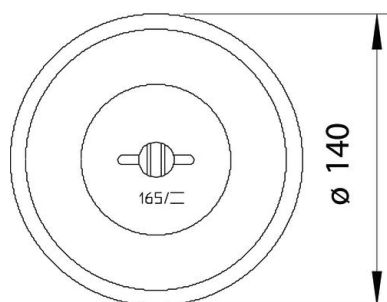
Item number: 5218861



Dimensions



Length 140 mm



Technical data

Application	Flat roof
Conductor fastening type	With clamp clip
Conductor diameter, max.	8
Conductor diameter, min.	8
Mounting type	Miscellaneous
Fit	Rd 8 mm
Material of the holder	Plastic
Material of the support	Concrete