

Technical data sheet

Locknut, metric thread, light grey

Item number: 2048973



Locknut DIN 46319, with metric thread IEC 423.



PA Polyamide

Master data

Item number	2048973
Type	116 M63 LGR PA
Description 1	Locknut
Manufacturer	OBO
Dimension	M63
Colour	Light grey; RAL 7035
Material	Polyamide
Smallest sales unit	25
Unit of quantity	Piece
Weight	1.467 kg
Weight unit	kg/100 pc.

Technical data sheet

Locknut, metric thread, light grey

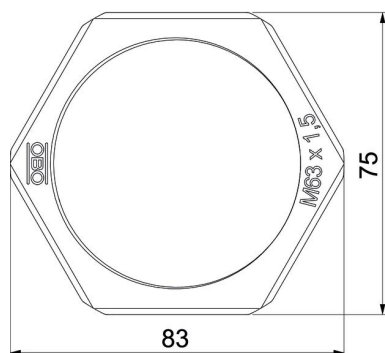
Item number: 2048973



Dimensions



Dimension E	83 mm
Dimension L	8 mm



Technical data

Thread	M63_x_1,5
Thread type	Metric
Nominal thread size metric/PG	63
Fibre-glass reinforced	no
Halogen-free	yes
Impact-resistant	no
WAF	75