

# Technical data sheet

Locknut, metric thread, light grey

Item number: 2048922



Locknut DIN 46319, with metric thread IEC 423.



**PA** Polyamide

## Master data

|                     |                      |
|---------------------|----------------------|
| Item number         | 2048922              |
| Type                | 116 M20 LGR PA       |
| Description 1       | Locknut              |
| Manufacturer        | OBO                  |
| Dimension           | M20                  |
| Colour              | Light grey; RAL 7035 |
| Material            | Polyamide            |
| Smallest sales unit | 100                  |
| Unit of quantity    | Piece                |
| Weight              | 0.173 kg             |
| Weight unit         | kg/100 pc.           |

# Technical data sheet

Locknut, metric thread, light grey

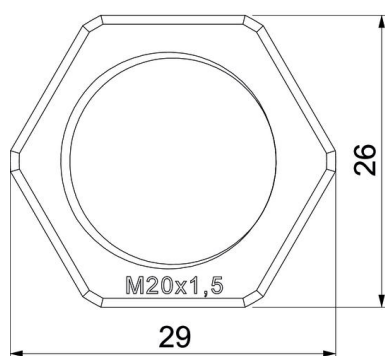
Item number: 2048922



## Dimensions



|             |       |
|-------------|-------|
| Dimension E | 29 mm |
| Dimension L | 6 mm  |



## Technical data

|                               |           |
|-------------------------------|-----------|
| Thread                        | M20_x_1,5 |
| Thread type                   | Metric    |
| Nominal thread size metric/PG | 20        |
| Fibre-glass reinforced        | no        |
| Halogen-free                  | yes       |
| Impact-resistant              | no        |
| WAF                           | 26        |