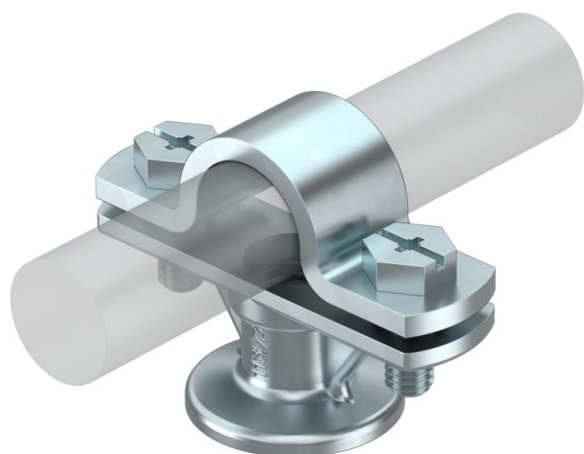


Technical data sheet

Rod holder, 20 mm

Item number: 5230527



- Installed with over-piece and hex-head screws M6 x 16
- With female thread M8 or through hole \varnothing 7 mm

Zn	Die-cast zinc
VZ	galvanised

Master data

Item number	5230527
Type	113 Z-20
Description 1	Holder
Description 2	for insulating rod
Manufacturer	OBO
Dimension	20mm
Material	Die-cast zinc
Surface	galvanised
Surface standard	
Smallest sales unit	20
Unit of quantity	Piece
Weight	8.2 kg
Weight unit	kg/100 pc.

Technical data

Holder fastening type	Drill hole with M thread
Rod fastening type	With screw clip
Thread metric	8
Fit	Rd 20 mm