

Technical data sheet

Concrete base min. 16 kg with female thread

Item number: 5402958



- Weight min. 16 kg
- Frost-resistant concrete
- Female thread M16
- Recommended air-termination rod length max. 3.0 m, depending on wind load zone



BET Concrete

Master data

Item number	5402958
Description 1	Stand with M16 thread
Description 2	for air-termin. rods w. thread
Manufacturer	OBO
Dimension	M16
Material	Concrete
Smallest sales unit	1
Unit of quantity	Piece
Weight	1822 kg
Weight unit	kg/100 pc.

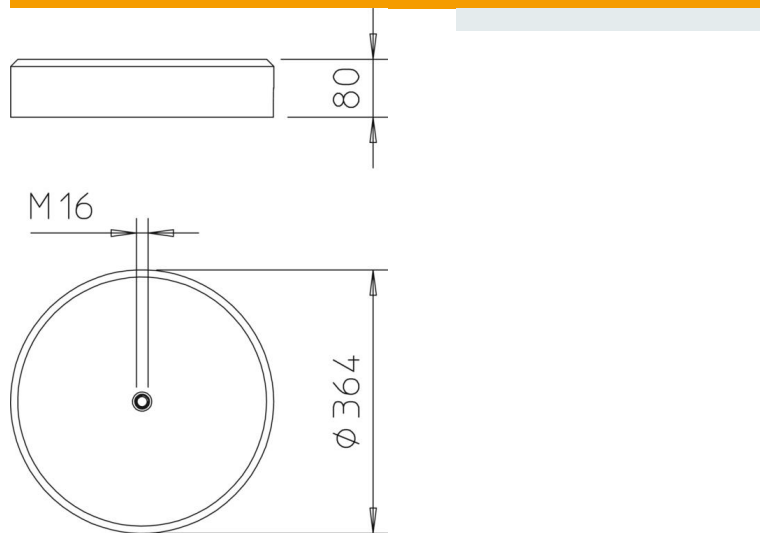
Technical data sheet

Concrete base min. 16 kg with female thread

Item number: 5402958



Dimensions



Technical data

Air-termination rod holder	Thread
Version for	Base
Weight	16 kg
Thread	M16
Nominal size Ø	364 mm